

ENERPAC 

Battery Powered Hydraulic Pump



ENERPAC 



Speed and power
in a portable cordless
hydraulic pump

Battery Powered Hydraulic Pump

▼ Shown: BP-122



- Lightweight, compact design with integrated handle for maximum portability
- Dual power selection and variable speed for preferred flow and precise control
- Heavy-duty 28 volt Lithium-Ion battery pack delivers constant fade-free power
- Immediate charging after use — a quick one hour charge
- Pump model includes two 3.0 amp-hour battery packs and quick charger



Cordless Hydraulic Power



28-Volt Lithium-Ion Battery

Heavy-duty construction with easy to operate latches. Fuel gauge LEDs show remaining charge.

Number of illuminated LEDs	Charge Remaining
4 ■■■■	100%-78%
3 ■■■	77%-56%
2 ■■	55%-34%
1 ■	33%-10%
Flashing	less than 10%



G2535L Gauge

Minimize the risk of overloading and ensure long dependable service from your cordless pump.



Battery packs contain no cadmium, so they are environmentally friendly. Enerpac encourages recycling.

◀ Take the battery pump anywhere without any power cords or air hoses.

Battery Powered Hydraulic Pump



Battery Powered Pump

The BP1 cordless pump is best suited for small to medium size cylinders or hydraulic tools, or wherever portable cordless hydraulic power is needed.

Powerful for everyday use, its lightweight and ergonomic design is ideal for both remote job sites or wherever a cord gets in the way.

The Lithium-Ion battery operates at peak performance under extreme conditions to get more work completed. The battery pack provides the power to run the cordless pump at maximum pressure for over six minutes. Numerous applications are easily and safely performed using the cordless pump powered by the Lithium-Ion battery pack.*

- 130 cuts of 3/8" reinforcing bar using the WHC750 cutter
- 75 lifts with a WR5 spreader
- Safely remove thirty 1-inch nuts using the NC3241 nut splitter
- Lift loads multiple times using 5–100 ton jacks

This battery powered hydraulic pump is CSA and CE compliant.

*Actual number of cycles will depend on condition of tool, battery, and ambient conditions.



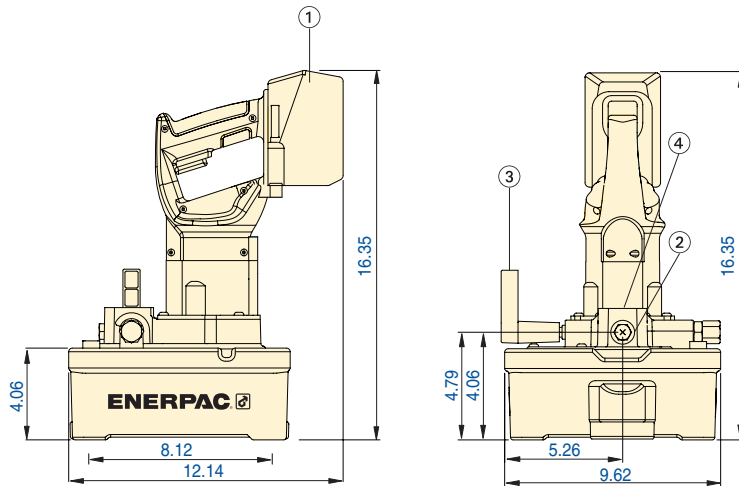
BP Series



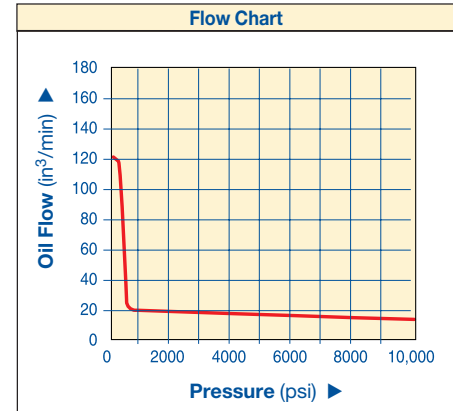
Reservoir Capacity:
.5-1.0 gal.

Flow at Rated Pressure:
15 in³/min.

Maximum Operating Pressure:
10,000 psi



- ① 28-Volt Lithium-Ion battery
- ② 3/8"-18 NPTF oil outlet
- ③ 3-way, 2-position valve
- ④ 1/4"-18 NPTF gauge port



SELECTION CHART

Usable Oil Capacity (gal)	Model Number	Output Flow Rate (in ³ /min)		Valve Function	Charger Voltage (VAC)	Weight (lbs)
		200 psi	10,000 psi			
0.5	BP-122	120	15	3-way, 2-pos.	115	21.2
1.0	BP-124	120	15	3-way, 2-pos.	115	24.0
0.5	BP-122E	120	15	3-way, 2-pos.	230	21.2
1.0	BP-124E	120	15	3-way, 2-pos.	230	24.0

▼ Power and simplicity for the toughest jobs.

